

KL-2000 VEHICLE TESTING LINE

SHENZHEN COSBER INDUSTRIAL CO., LTD.

Brake / Axle-weight / Sideslip testing controlled by Computer

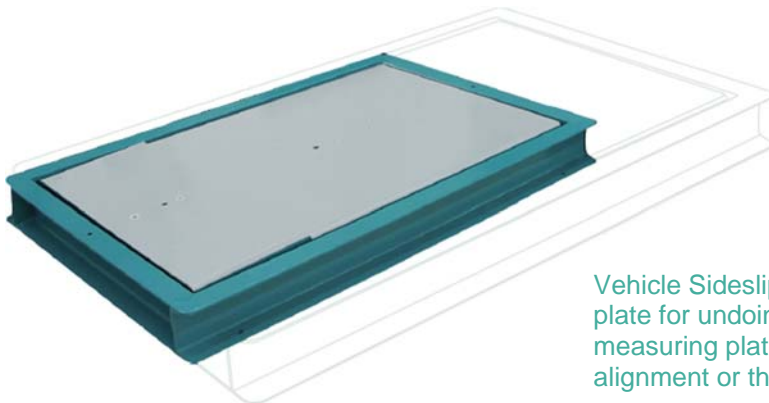
Functional characteristics

- > The equipment occupied area less than 2.5 m , and take only 2 minutes to test car.
- > Thai / English easy operation menu;
- > The equipment Accuracy is less than 2% and Display resolution is less than 3%;
- > All data communicated by Digital RS-232
- > Auto-Driven-Out Program for easy exit of rollers after test
- > Testing both 2WD and 4WD vehicle (AWD option)
- > Corundum binding technology roller surface with high adhesion coefficient
- > Sideslip tester equips a anti-skid material coat;



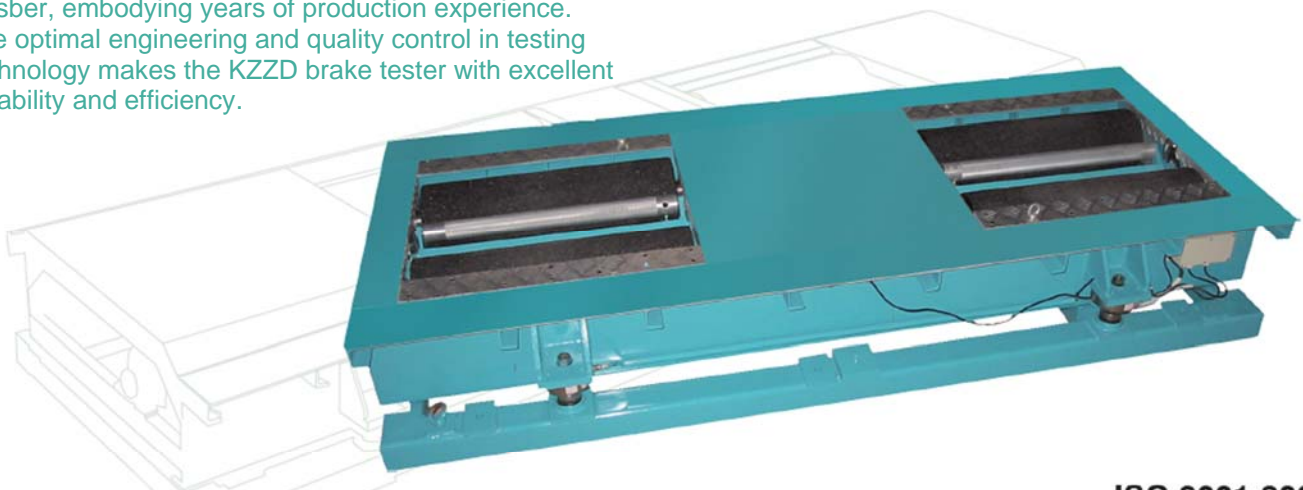
Standard assembly

1. KCH-3 Vehicle Sideslip Tester
2. KZZD-3 Vehicle Brake Tester
3. Control System Software & Hardware
4. Cabinet (600x600x1600mm)
5. Control Computer



Vehicle Sideslip Tester, compose by a balancing plate for undoing the mechanical plays and by a measuring plate. It brings out in a few seconds the alignment or the dynamic divergence of the vehicle.

The KZZD roller brake tester is a flagship product of Cosber, embodying years of production experience. The optimal engineering and quality control in testing technology makes the KZZD brake tester with excellent reliability and efficiency.

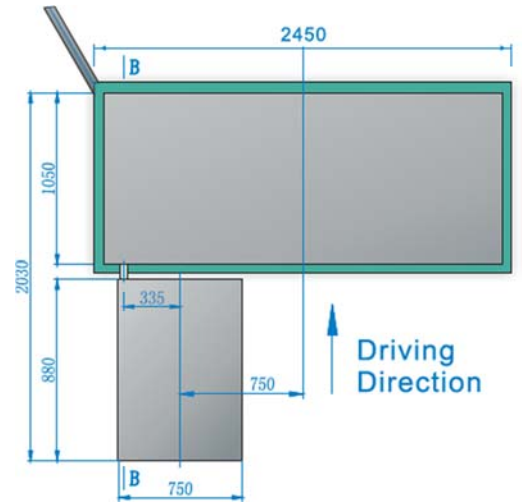
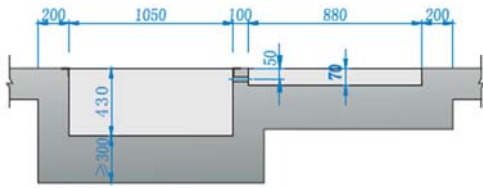


Vehicle Testing Equipments Manufacturer

CE & ISO 9001:2000
ISO 14001:2004

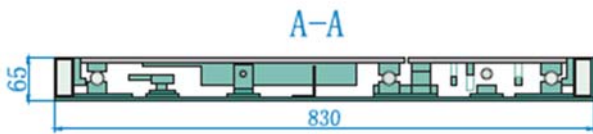


Pit Work Drawing

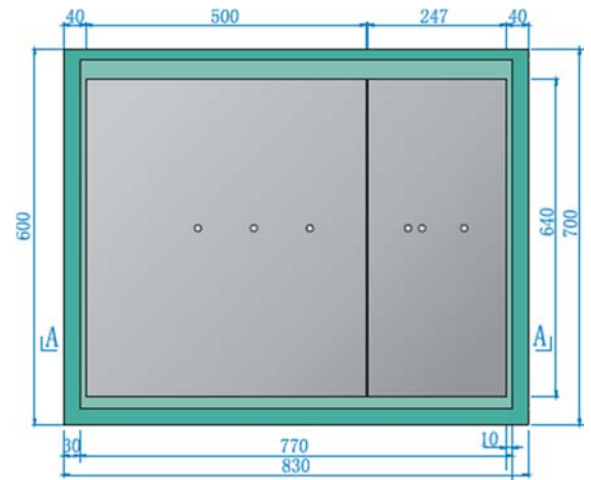


KCH-3 Vehicle Sideslip Tester Technical Parameter

Maximum wheel load	1500 kg
Measuring range	± 15 m/km
Graduation	± 0.1 m/km
Slider size	500x600 mm
Equipment weight	85 kg
Equipment dimension	830x700x65 mm
Power supply	220 V 50 Hz
Accuracy	< 2%
Resolution	< 3%



>Detail Drawing (KCH-3)



KZZD-3 Vehicle Brake Tester Technical Parameter

Maximum axle load	3000 kg
Weight Graduation	1 kg
Measuring range	0 ~ 12500 N
Force Graduation	5 N
Roller dimension	$\phi 200 \times 700$ mm
Adhesion coefficient(Dry/Wet)	0.8 / 0.6
Roller rotation speed	2.5 km/h
Motor power	2x2.2 kW
Distance of roller center	381 mm
Wheel diameter	≥ 500 mm
Equipment weight	680 kg
Equipment dimension	2390x1025x430 mm
Power supply	380V 3ph 50 Hz
Brake force accuracy	< 2%
Axle weight accuracy	< 3%
Resolution	< 3%

>Detail Drawing (KZZD-3)

